

Cellpack – Cast-resin Technology

Cellpack 'T' Cable Joints

Voltage rating

1.2 kV

Application

Universally suitable to connect low voltage plastic-insulated cables or connectors insulated with PVC, PE, VPE, and EPR. (e.g N(A)YY, NYM, TT) With or without concentric conductor.

Suitable for both copper and aluminium conductors.

Application Ranges

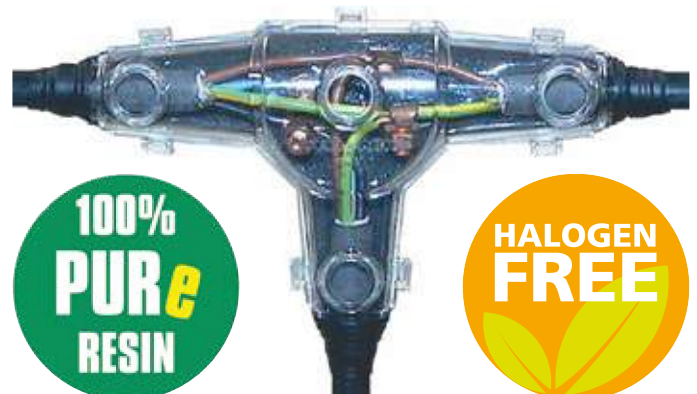
Indoor, outdoor, underground, water (e.g submersible pumps), cable trays.

Features

- High electrical insulation values
- Watertight both longitudinally and transversely up to 1 metre
- High mechanical strength
- Good resistance against UV radiation, alkaline earths and chemical agents
- Standard resin storable up to 40 months in the aluminium bag
- Halogen-free polyurethane cast resin, containing the correct volume ready for mixing within a handy two-chamber mixing bag. No need for skin contact
- Low hardening temperature, fast hardening with no toxic emission during the mixing and casting
- High quality, transparent, shockproof polycarbonate moulds, compact size
- Visible splice position before casting
- Large insertion opening for easy casting
- Extremely simple and fast fitting - saves time and costs
- Earthing kit included
- Operational after 2 hours

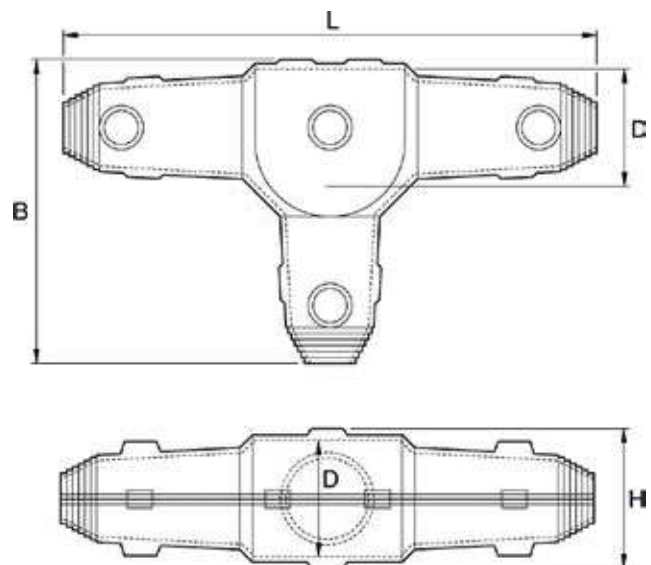
Tests and Approvals

- DIN VDE 0278 Part 1 and 3
- DIN VDE 0278 PART 393
- EN 50393 as well as
- CENELEC HD623 (VDE 0278, PART 623)



CELLPACK
Electrical Products

Mould Dimensions



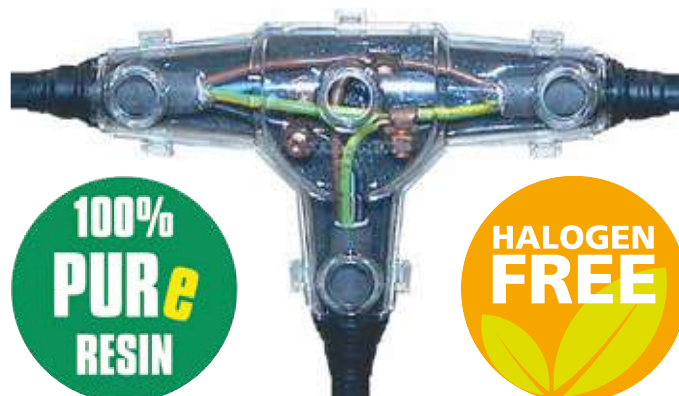
Part No.	Dimensions in mm			
	L	B	D	H
T1-EK	240	138	50	60
T2-EK	267	154	60	70
T3-EK	354	212	90	100
T4-EK	432	262	110	125
TS-EK	550	290	130	155

Cable jointing

Cellpack – Cast-resin Technology

Cellpack 'T' Cable Joints

Suitable for copper to copper, copper to aluminium, aluminium to aluminium.



Part No.	Mains Cable		Branch Cable		Min - Max cable dia. (mm)		Connectors
	mm ²	Cores	mm ²	Cores	Mains	Branch	
T1-EK	1.5	2	1.5	2	22	22	P1 Included
T1-EK	1.5	3	1.5	3	22	22	P1 Included
T1-EK	1.5	4	1.5	4	22	22	P1 Included
T1-EK	2.5	2	2.5	2	22	22	P1 Included
T1-EK	2.5	3	2.5	3	22	22	P1 Included
T1-EK	2.5	4	2.5	4	22	22	P1 Included
T1-EK	4.0	2	4.0	2	22	22	P1 Included
T1-EK	4.0	3	4.0	3	22	22	P1 Included
T1-EK	4.0	4	4.0	4	22	22	P1 Included
T1-EK	6.0	2	6.0	2	22	22	P1 Included
T1-EK	6.0	3	6.0	3	22	22	P1 Included
T2-EK	6.0	4	6.0	4	30	30	P1 Included
T1-EK	10	2	10	2	22	22	P1 Included
T2-EK	10	3	10	3	30	30	P1 Included
T2-EK	10	4	10	4	30	30	P1 Included

All joints are supplied with:

- Clear mould
- Resin pack
- Earth continuity
- Gloves
- Sealing tape

Cable connectors included up to 35mm².

Fully submersible up to 1 metre.

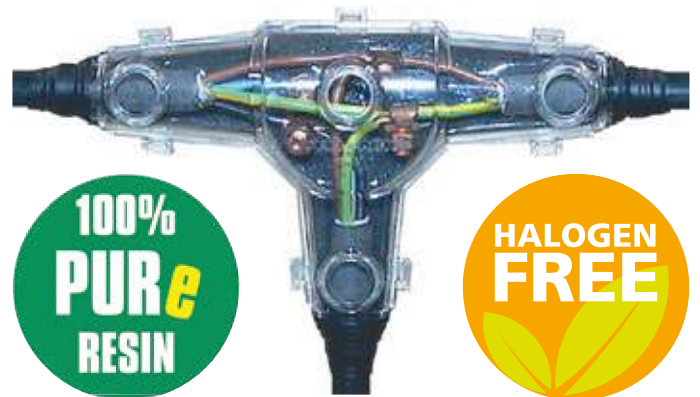
Operational after 2 hours, please allow 24 hours to be fully cured.

One connector required per core.

Cellpack – Cast-resin Technology

Cellpack 'T' Cable Joints

Suitable for copper to copper, copper to aluminium, aluminium to aluminium.



Part No.	Mains Cable		Branch Cable		Min - Max cable dia. (mm)		Connectors
	mm ²	Cores	mm ²	Cores	Mains	Branch	
T2-EK	16	2	16	2	30	30	P1 Included
T2-EK	16	3	16	3	30	30	P1 Included
T3-EK	16	4	16	4	37	37	P1 Included
T3-EK	25	2	25	2	37	37	P1 Included
T3-EK	25	3	25	3	37	37	P1 Included
T3-EK	25	4	25	4	37	37	P1 Included
T3-EK	35	2	35	2	37	37	P1 Included
T3-EK	35	3	35	3	37	37	P1 Included
T4-EK	35	4	35	4	52	52	P1 Included
T3-EK	50	2	50	2	37	37	LT70*
T3-EK	50	3	50	3	37	37	LT70*
T3-EK	50	4	50	4	37	37	LT70*
T3-EK	70	2	70	2	37	37	LT70*
T3-EK	70	3	70	3	37	37	LT70*
T4-EK	70	4	70	4	52	52	LT70*
T4-EK	95	2	95	2	52	52	LT95*
T4-EK	95	3	95	3	52	52	LT95*
T5-EK	95	4	95	4	62	55	LT95*
T5-EK	120	2	120	2	62	55	LT120*
T5-EK	120	3	120	3	62	55	LT120*
T5-EK	120	4	120	4	62	55	LT120*

All joints are supplied with:

- Clear mould
- Resin pack
- Earth continuity
- Gloves
- Sealing tape

Cable connectors included up to 35mm².

Fully submersible up to 1 metre. Operational after 2 hours, please allow 24 hours to be fully cured.

***Where not included – connectors sold separately**

One connector required per core.

To see a video demonstrating Cellpack scan the QR code

